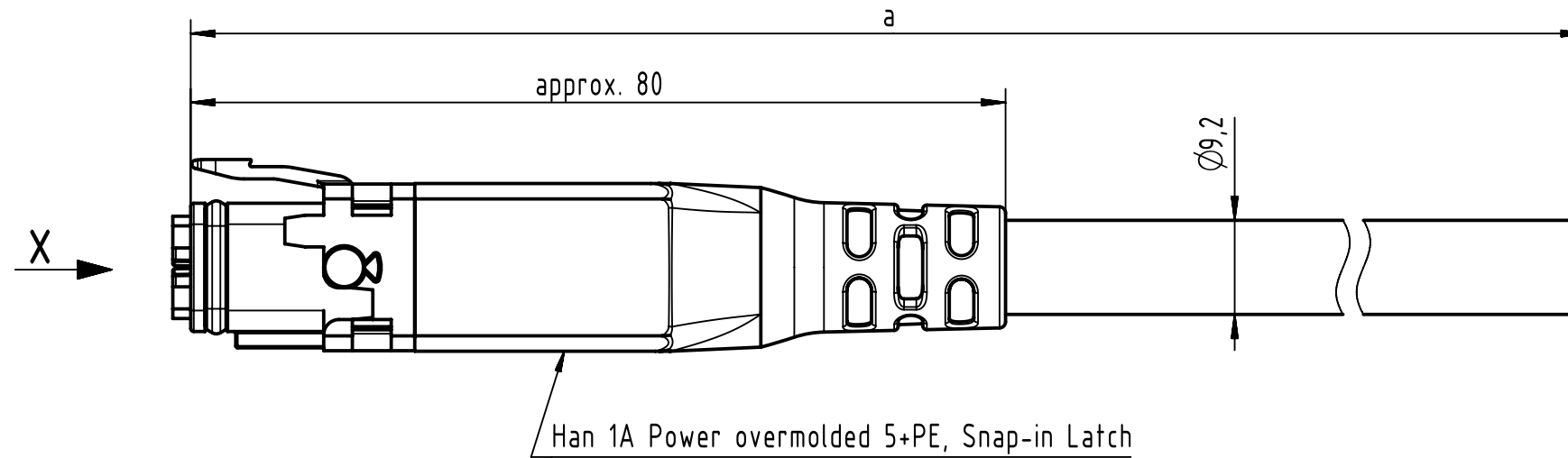


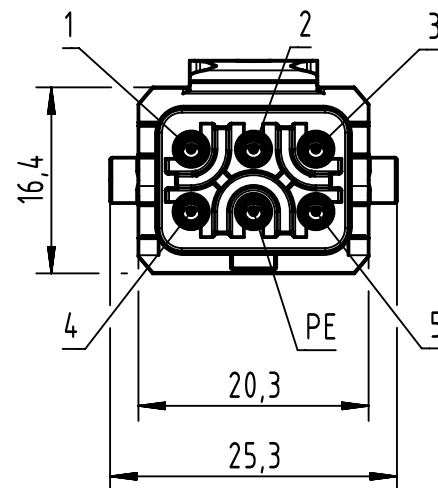
Connector Location A

Connector Location B



Han 1A Power overmolded 5+PE, Snap-in Latch

X female

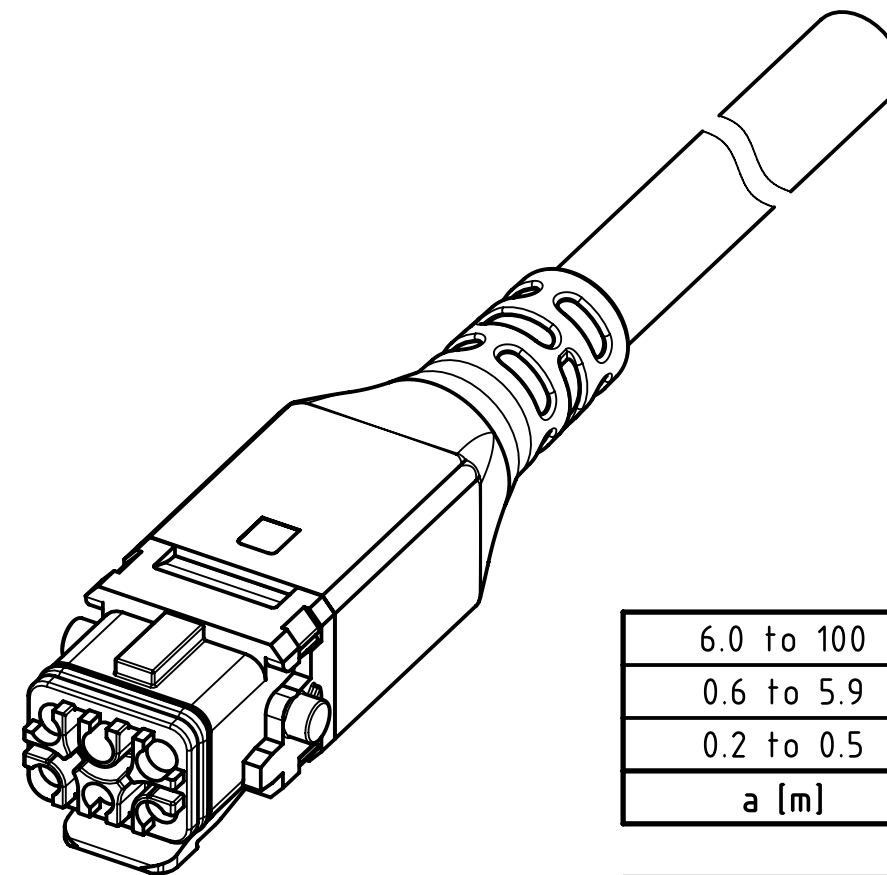


Loading Plan

- 1 wire 1
- 2 wire 2
- 3 wire 3
- 4 wire 4
- 5 wire 5
- PE green/yellow

NOTE:

- * Silver plated contacts
- * Protection level: IP66/67
- Temperature range:
- Fixed installation: -30°C ... +80°C
- Dynamic installation: -15°C ... +80°C



6.0 to 100	±1%
0.6 to 5.9	+0.04
0.2 to 0.5	+0.02
a [m]	Tolerance

length in "1m" step	100	XXX=000
	99	XXX=990
	12	XXX=120
	11	XXX=110
length in "0.1m" step	10	XXX=100
	9.9	XXX=099
	9.8	XXX=098
	0.5	XXX=005
	0.4	XXX=004
	0.3	XXX=003
	0.2	XXX=002
Step	a [m]	XXX

JZ-500 6G1.5mm ² , PVC, grey	33400700201XXX
Type of cable	Part no.

	All rights reserved	Created by BANIUD Banciu	Inspected by 402676 Gross	Standardisation MUNTEANV Muntean	Date 2022-07-22	State Final Release
	Department HCS - RO	Title Han 1A OM 5+PE +latch f/- PVC		Doc-Key / ECM-Nr. 100978569/UGD/000/B 50000221229		Rev. B
HARTING Customised Solutions D-32339 Espelkamp		Type TB	Number 33400700201XXX		Page 1/1	